

COMPRESSIONE MINIATURA IN ACCIAIO BTT 200÷2.000

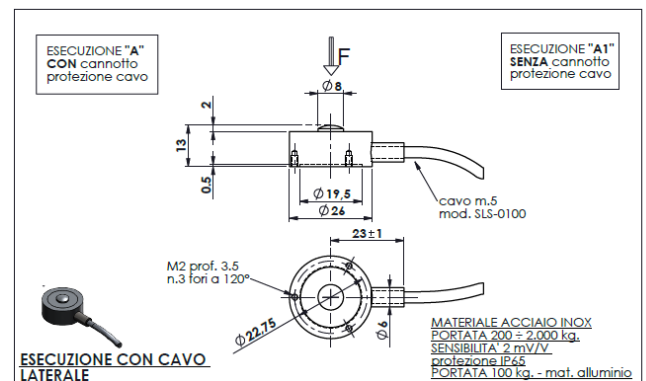
INTERVALLO MINIMO DI MODIFICA	MIN. VERIFICATION INT. (Vmin)	Emax/10000
Errore non combinato	Uncombined error	±0.01%
Non ripetibilità	Non-repeatability	±0.01%
Ritorno a zero dopo 30 min	Return to zero over 30 min	±0.02%
CREEP al carico nominale dopo 30 minuti	CREEP at nominal load over 30 minutes	±0.02%

CARICO NOMINALE	NOMINAL LOAD	200÷2.000 kg
SENSIBILITA' NOMINALE	NOMINAL SENSIVITY	2.0 mV/V
TOLLERANZA DI CALIBRAZIONE	CALIBRATION TOLERANCE	≤±0.1%

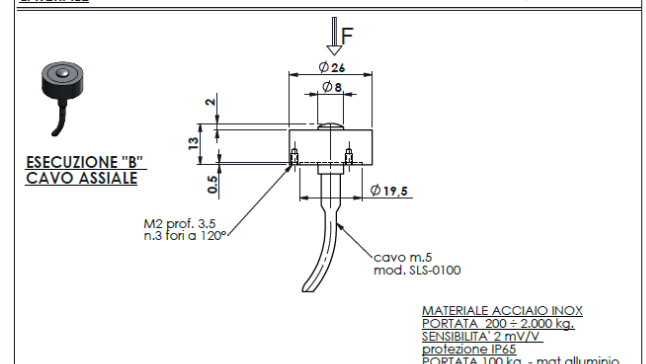
VALORE MEC. LIMITE AL CARICO NOM	MECH. LIMIT VALUE AT NOMINAL LOAD	Emax/10000
Carico limite	Limit load	150%
Carico di rottura	Breaking load	> 300%
Carico dinamico limite	Limit dynamic load	50%
Classe di protezione EN 60529	Protection class EN 60529	IP 65
Materiale cella	Cell material	ACCIAIO INOX 17.4 P.H.



EFFETTO DELLA TEMPERATURA	TEMPERATURE EFFECT (10°)	Emax/10000
Sullo zero	On zero	±0.005
Sulla sensibilità	On sensivity	±0.005
Temperatura di riferimento	Reference temperature	+23°C
Temperatura di esercizio	Operating temperature	-10+50°C
Temperatura di stoccaggio	Storage temperature	-10+50 °C



CARATTERISTICHE ELETTRICHE	ELECTRICAL CHARACTERISTICS	Emax/10000
Resistenza di ingresso	Input resistance	700 ± 20 Ohm
Resistenza di uscita	Output resistance	700 ± 5 Ohm
Resistenza di isolamento	Insulation resistance	5000 Ohm
Bilanciamento di zero	Zero balance	± 1% FS
Alimentazione di riferimento	Recommended supply voltage	10 V
Alimentazione normale	Normal supply voltage	5÷15V
Alimentazione max	Maximum supply voltage	15V



C	12.02.2004	FB	NOTE SUL DISEGNO	0	± 30	±0.10
B	05.08.2003	FB	AGGIUNTO PORTATE	1	30 - 100	±0.15
A	12.03.2003	FB	CANOTTINO LATERALE PER CAVO	2	100 - 300	±0.25
Ap.	Data	Dis.	Descrizione modifica	3	300 - 500	±0.50
				4	500 - 1000	±1.00
				5	1000 - 2000	±1.50
				6	2000 - 5000	±2.00
				7	5000 - 10000	±3.00
				8	10000 - 20000	±4.00
				9	20000 - 50000	±5.00
				10	50000 - 100000	±6.00
				11	100000 - 200000	±7.00
				12	200000 - 500000	±8.00
				13	500000 - 1000000	±9.00
				14	1000000 - 2000000	±10.00
				15	2000000 - 5000000	±12.00
				16	5000000 - 10000000	±15.00
				17	10000000 - 20000000	±20.00
				18	20000000 - 50000000	±25.00
				19	50000000 - 100000000	±30.00
				20	100000000 - 200000000	±40.00
				21	200000000 - 500000000	±50.00
				22	500000000 - 1000000000	±60.00
				23	1000000000 - 2000000000	±70.00
				24	2000000000 - 5000000000	±80.00
				25	5000000000 - 10000000000	±90.00
				26	10000000000 - 20000000000	±100.00
				27	20000000000 - 50000000000	±120.00
				28	50000000000 - 100000000000	±150.00
				29	100000000000 - 200000000000	±200.00
				30	200000000000 - 500000000000	±250.00
				31	500000000000 - 1000000000000	±300.00
				32	1000000000000 - 2000000000000	±400.00
				33	2000000000000 - 5000000000000	±500.00
				34	5000000000000 - 10000000000000	±600.00
				35	10000000000000 - 20000000000000	±700.00
				36	20000000000000 - 50000000000000	±800.00
				37	50000000000000 - 100000000000000	±900.00
				38	100000000000000 - 200000000000000	±1000.00
				39	200000000000000 - 500000000000000	±1200.00
				40	500000000000000 - 1000000000000000	±1500.00
				41	1000000000000000 - 2000000000000000	±2000.00
				42	2000000000000000 - 5000000000000000	±2500.00
				43	5000000000000000 - 10000000000000000	±3000.00
				44	10000000000000000 - 20000000000000000	±4000.00
				45	20000000000000000 - 50000000000000000	±5000.00
				46	50000000000000000 - 100000000000000000	±6000.00
				47	100000000000000000 - 200000000000000000	±7000.00
				48	200000000000000000 - 500000000000000000	±8000.00
				49	500000000000000000 - 1000000000000000000	±9000.00
				50	1000000000000000000 - 2000000000000000000	±10000.00